



IV2457X

iVSEC Small 90° Wall Mount

Product Overview

The iVSEC IV2457 camera mounting bracket is a gamechanger for security system installations. Its versatile design allows for easy installation of security cameras in a wide range of settings. Whether it's for indoor or outdoor use, on walls or ceilings, this bracket provides the flexibility needed to position cameras precisely where they are needed most.

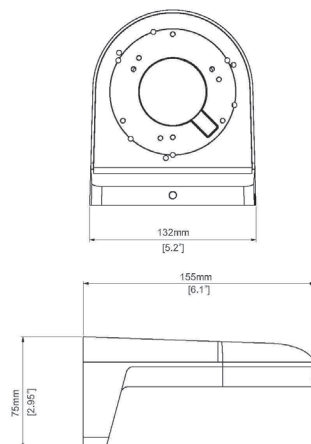
Crafted from high-quality materials, this mounting bracket is not only durable but also resistant to harsh environmental conditions. It ensures the longevity and reliability of your surveillance equipment, reducing maintenance costs and downtime.

Its 90° angle mount allows for easy positioning options enabling optimal camera placement, ensuring maximum coverage and reducing blind spots. The iVSEC IV2457 simplifies the installation process, saving time and effort, while its durability and adaptability make it a cost-effective choice for long-term security solutions specifications

Material Housing	ADC12
Material Screws	Stainless Steel 304
Colour	White
Load Bearing Capacity [kg]	1.5
Temperature Rating	-20°C to 60°C.
Humidity Rating	≤ 95% Relative Humidity
IP Rating	IP66
In the Box	Bracket, Screws, Allan Key

Product Dimensions [H x W x L] mm	44 x 66 x 90
Packaging Dimensions [H x W x L] mm	90 x 140 x 170
Weight [kg]	0.66
Warranty	3 Years
Compatibility List	NC000XA, NC110X*, NC119XA, NC319XA, NC340XA

IV2457X Wireframe



UNIT:mm[Inch]

